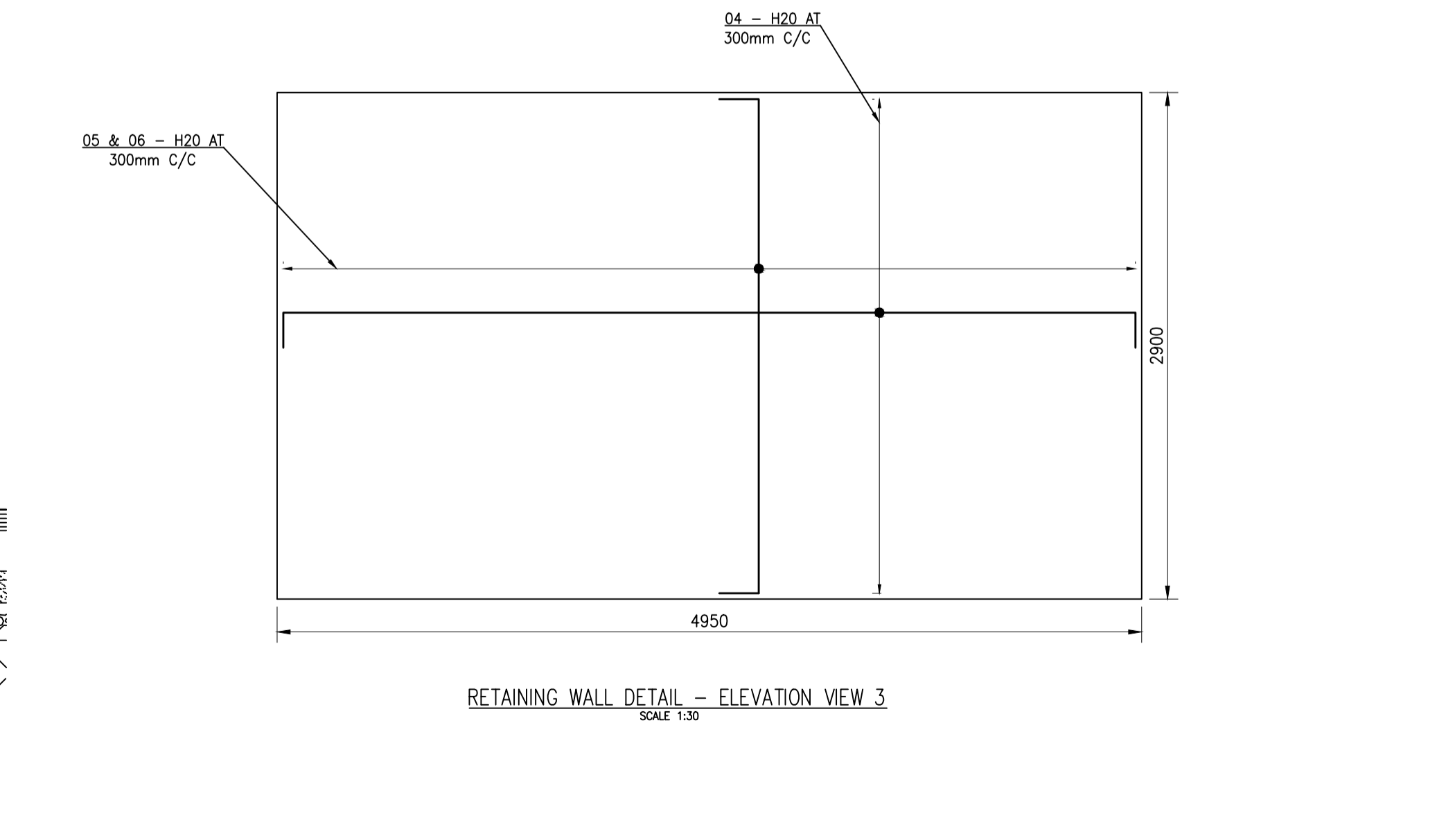
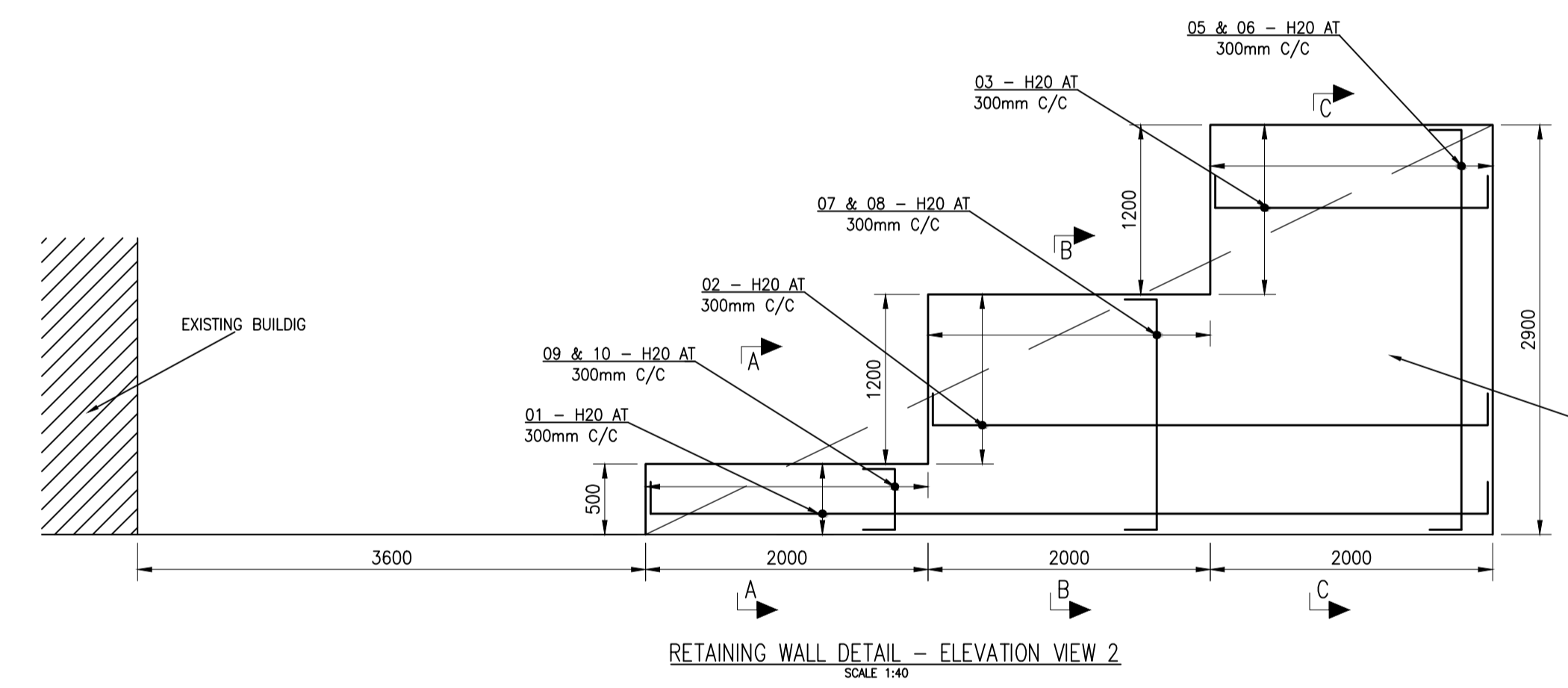
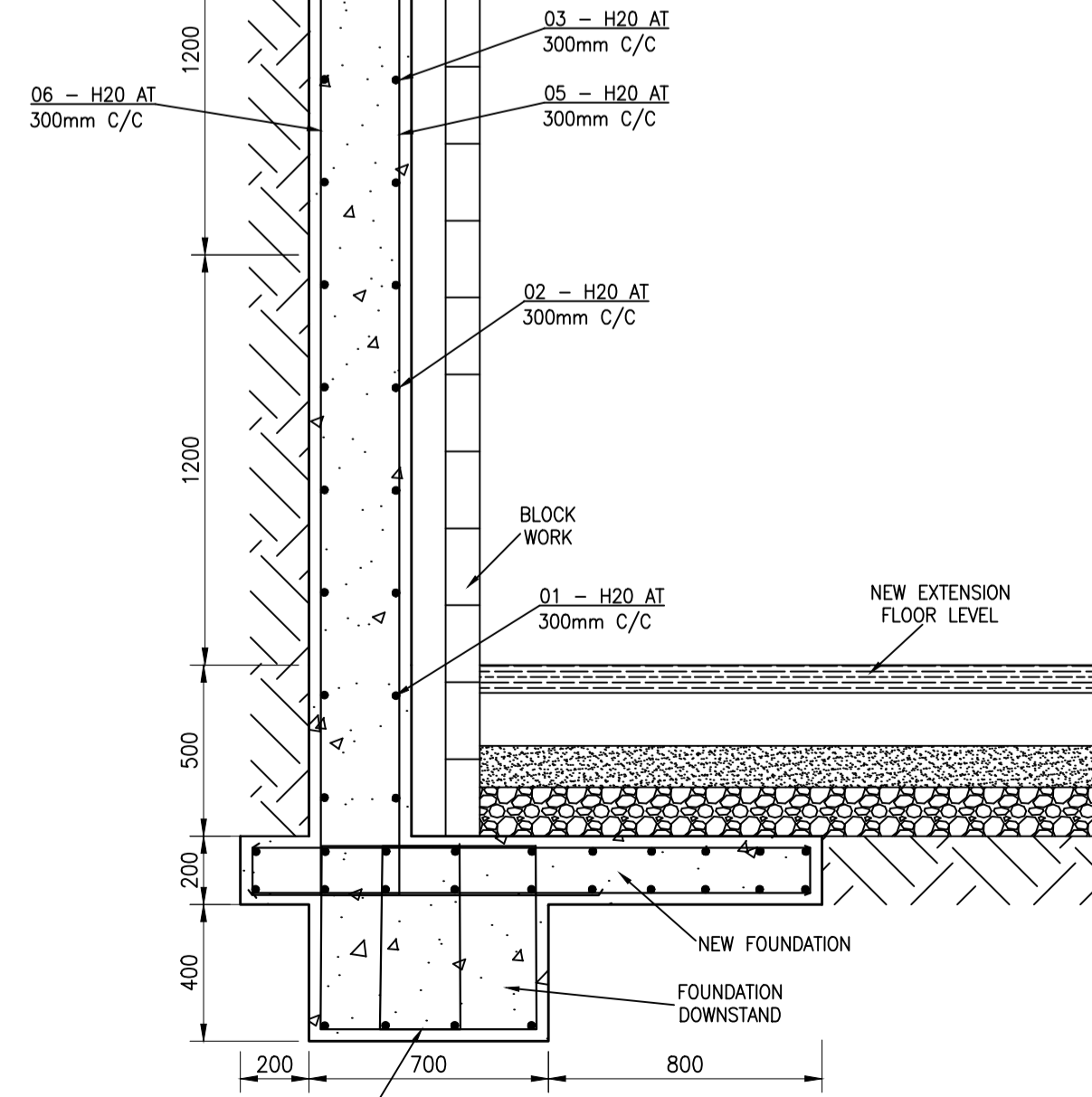
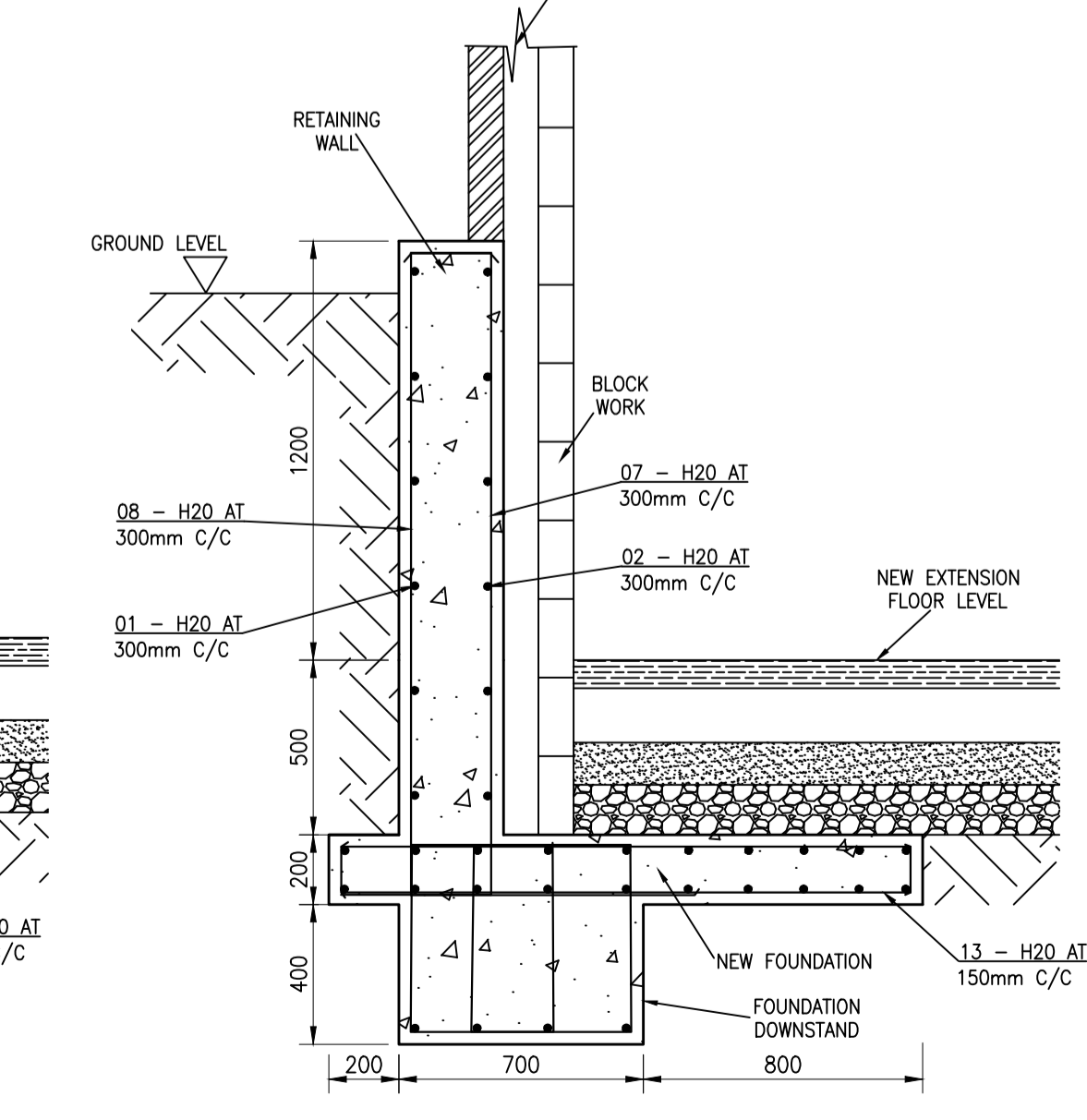
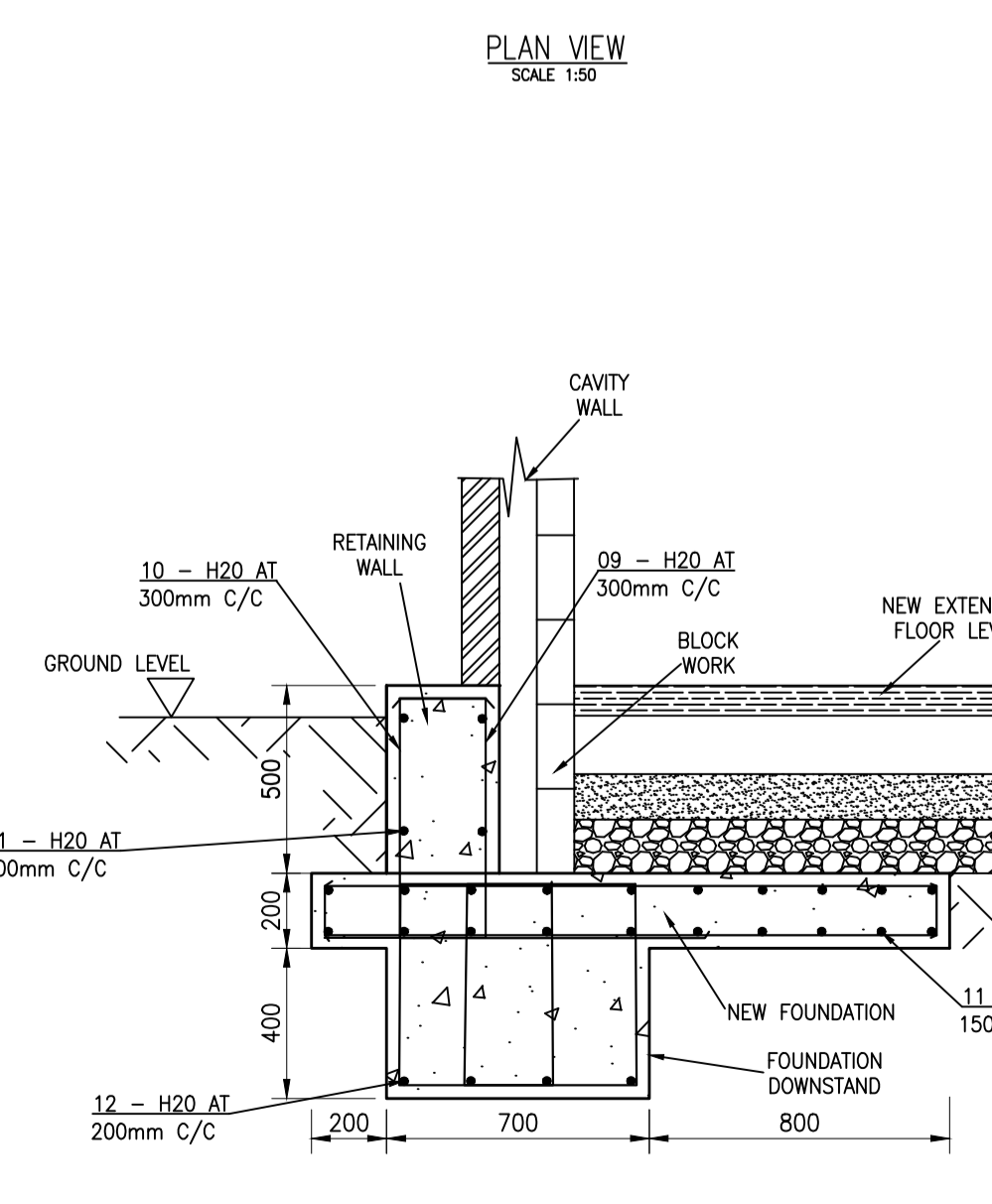
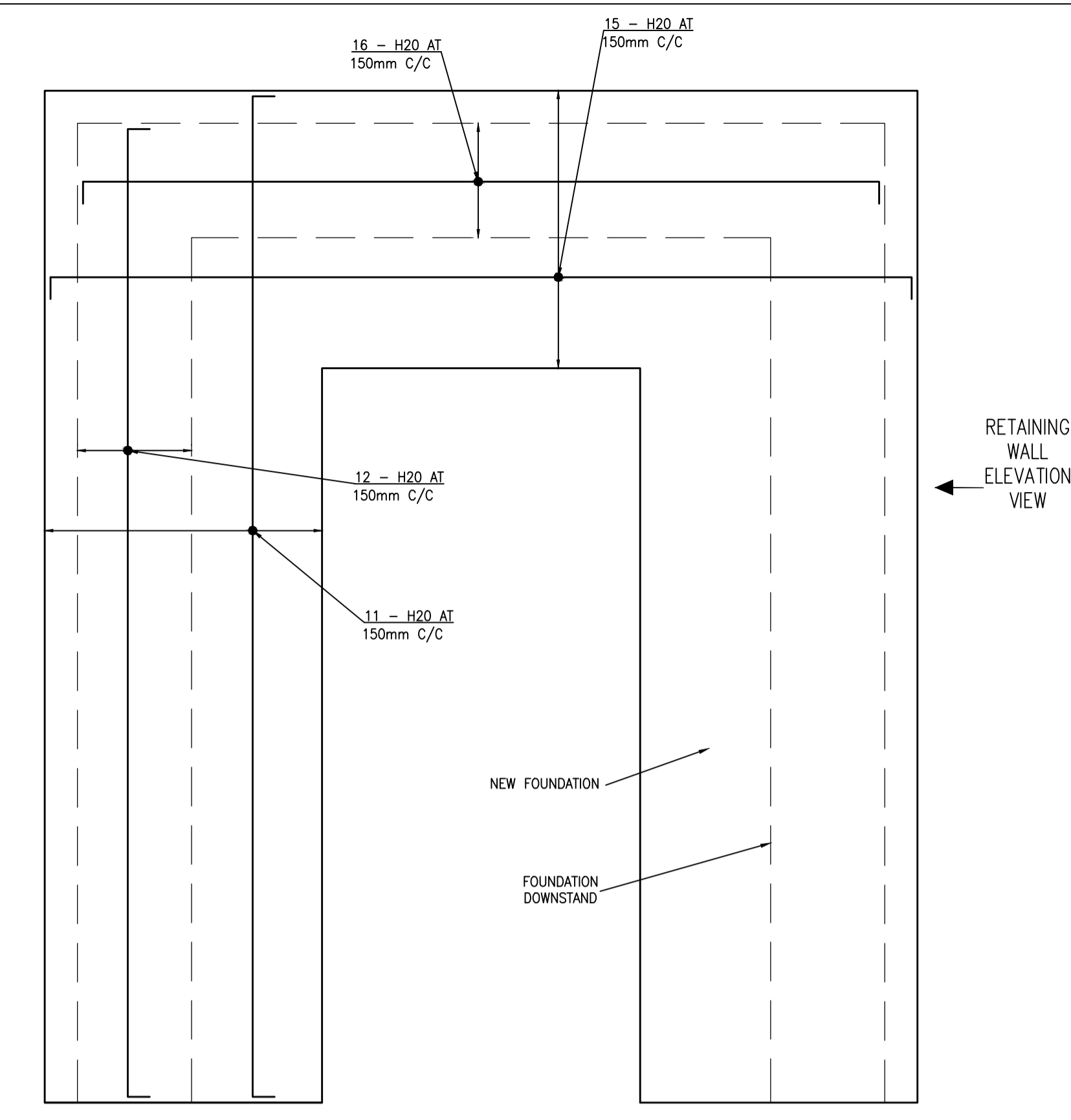
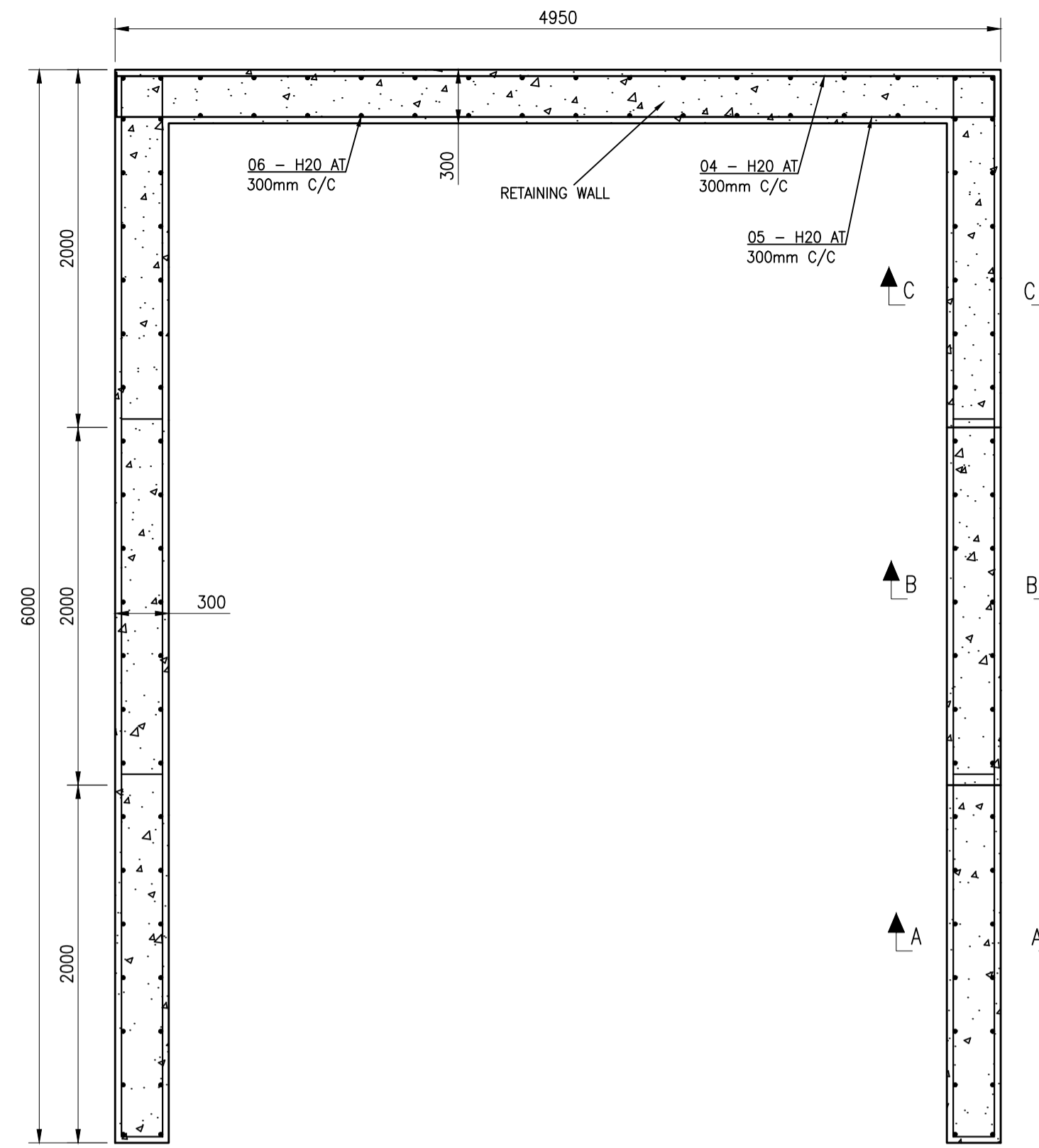
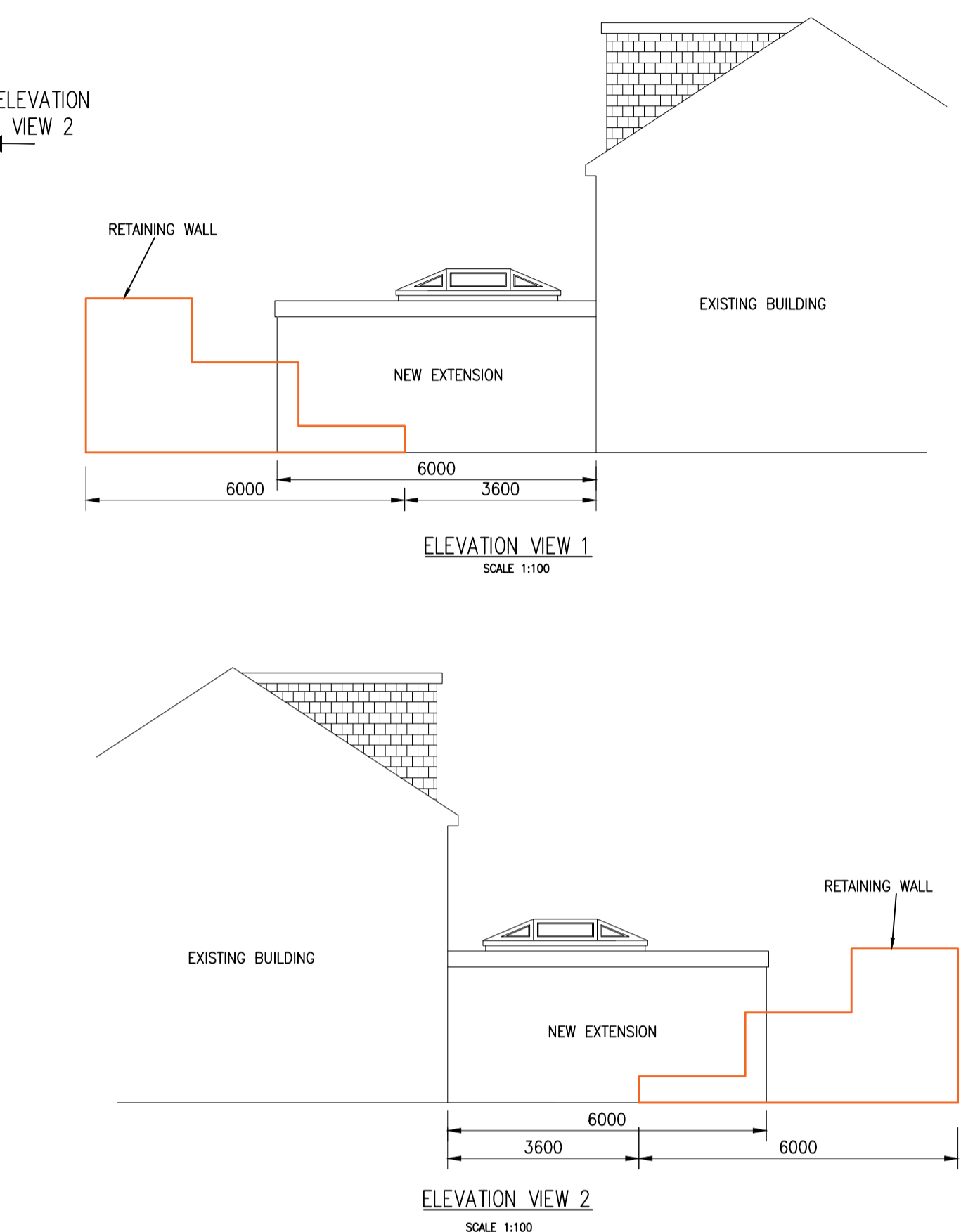


NOTE:

- RETAINING WALL THICKNESS = 300mm
- REINFORCEMENT COVER = 35mm
- CONCRETE GRADE C40
- REINFORCEMENT:
 - TOE BARS - 20mm dia. @ 150mm CENTERS - (2094mm²/m)
 - HEEL BARS - 20mm dia. @ 300mm CENTERS - (1047mm²/m)
 - DOWNSTAND BARS - 20mm dia. @ 300mm CENTERS - (1047mm²/m)
 - STEM BARS - 20mm dia. @ 300mm CENTERS - (1047mm²/m)



- RESIDUAL HAZARDS**
- THE CONTRACTOR & HIS ASSOCIATED SUB-CONTRACTORS ARE TO BE AWARE OF AND TAKE ALL REASONABLE MEASURES TO COUNTER THE FOLLOWING RESIDUAL HAZARDS IDENTIFIED BY QDS IN THE EXECUTION OF THE WORKS ILLUSTRATED:
- FALLS FROM HEIGHT OF PERSONS & MATERIALS;
 - LIFTING INJURIES/STRAINS DUE TO HANDLING HEAVY OR AWKWARD COMPONENTS;
 - WORKING WITHIN CONFINED SPACES - e.g. Basements, vaults;
 - IMPACT/COLLISION DURING HANDLING OF STEEL SECTIONS;
 - PLANT IMPACT DURING STRUCTURAL DEMOLITION & NEW FRAME CONSTRUCTION;
 - LOCAL INSTABILITY OF FLOORS/WALLS DURING ENABLING WORKS FOR STEEL INSTALLATION;
 - WORKING IN CLOSE PROXIMITY TO GENERAL PUBLIC & HIGHWAYS;
 - SKIN INFILCTIONS WHEN HANDLING CEMENTITIOUS OR RESINOUS COMPOUNDS;
 - EYE INJURIES DURING INITIAL DEMOLITION ENABLING WORKS;
 - BURNS, ARC-EYE DURING ON-SITE STEEL ADAPTATIONS & CONNECTIONS;
 - OVERLOAD OF EXISTING FLOORS DURING DEMOLITION DUE TO EXCESSIVE ACCUMULATION OF RUBBLE;
 - MEETING OBSTRUCTIONS DURING PILING WORKS;

DATE	DESCRIPTION	BY	REV
XX.XX.XX	XXXXXXXXXXXX	XX	A

Client: **MR. DANIEL MCCALLUM**

Contract: **7A BADER CRESCENT WALTERSLADE, CHATHAM ME5 0DJ**

Drawing Title: **REAR EXTENSION RETAINING WALL AND FOUNDATION DETAIL**

STAP

33 Kempton Close, Lords Wood, Chatham Kent ME5 8PW
Telephone: 01634320288
Email: enquiries@staptld.co.uk
Web: www.staptld.co.uk

Scale: 1:30, 1:20
1:100, 1:50, 1:40

Drawn: AC
Appvd: PS
Date: 22.01.18

A1 Sheet
Drawing No: DM.18.017.01
Rev: -